

# POC-128

## 12.1" Point of Care Terminal with Intel® Celeron® Processor J1900



### Features

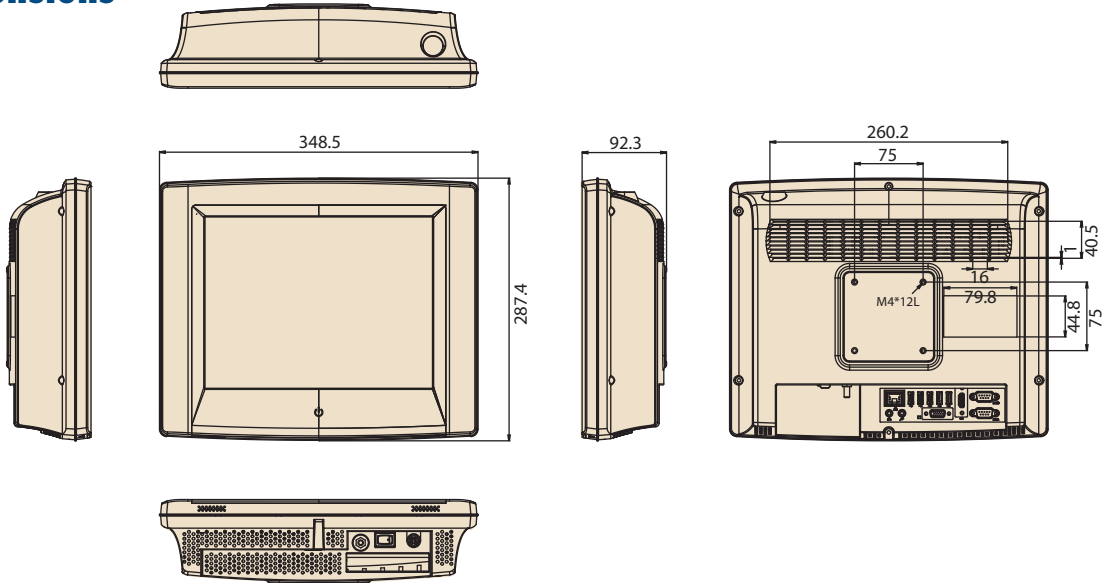
- Runs on an Intel® Celeron® J1900 Processor with a fanless, high performance profile
- 12.1" 1024 x 768 mm resolution LCD design
- USB 3.0 x 2 and PCIe (x4) expansion slot, mini PCIe slot x 2
- Offers a multi-touch option to deliver a truly unmatched touchscreen experience
- IP x 1 enclosure to protect against dust and water splashing for ease of cleaning
- Isolated design provides unique electric leakage protection for COM ports, and LAN ports
- Optional Bluetooth, RFID inner WLAN module, Li-ion battery pack

### Specifications

Computing system	CPU	Intel® Celeron® Processor J1900
	Memory	Up to 8GB DDR3L 1600MHz
	Graphics Controller	LVDS
	Operating System	Win 7, Win 8.1
Display	Display Size	12.1" TFT LCD (4:3)
	Type	VA
	Max Resolution	1024 x 768
	Max. Colors	16.2 M colors (8-bits+A-FRC)
	Pixel Pitch (mm)	0.240 (H) x 0.240 (V)
	Viewing Angle	160°/140°
	Luminance	600 cd/m <sup>2</sup>
	Backlight	LCD
Contrast Ratio	700	
Expansion Slot	PCIe	1 x PCIe (x4)
Storage	HDD	1 x 2.5" SATA , Support 5V/12V, Height up to 15mm, Easy installation
IO Port	Serial Ports	2 x RS-232/422/485 serial port
	USB Ports	2 x USB 3.0 ports 3 x USB 2.0 ports
	HDMI	1 x HDMI
	VGA Port	1 x VGA
	LAN	1 x Gigabit Ethernet (RJ45 isolation)
	Audio	2 x speakers (1 W)
Power Supply	AC Model	External Power Adapter
	Input Voltage	90 ~ 260 V <sub>AC</sub> , 1.35 ~ 0.5 A, 47 ~ 63 Hz
	Output Voltage	+18 V <sub>DC</sub> , 5.84 A max. (105 watts)
Optional Function	Battery	1 x Backup Battery Pack
	WLAN	Integrated wireless 802.11 a/b/g/n
	Bluetooth	Bluetooth 4.0
	Smart Card Reader	1 x Smart card reader
	RFID	Passive RFID
Touch Screen	Type	Res TS
	Light transmission	Res. TS 75%
	Controller	USB surface
	Surface	Res. AG
IP Rating	Entire Panel	IPx1
Certification		CE, FCC Class B, UL60601-1, EN60601-1 approved
Environment	Temperature	0 ~ 40° C (Operating)
	Humidity	10 ~ 95% @ 40° C (non-condensing)
	Shock Resistance	20G peak acceleration (11ms duration)
Physical Characteristics	Dimensions (W x H x D)	348 x 287 x 92 mm
	Weight	4.5 Kg

## Dimensions

Unit: mm



## Ordering Information

Part Number	Size	CPU	Touch Panel	HDD	RAM
POC-128-C11D-ATE	12"	Intel Bay Trail-D J1900	Available	X	4 GB

## Optional Modules

Part Number	Description
POC-127-WF0E	WiFi kit (802.11b/g/n) for POC-127
POC-127-RF0E	RFID kit for POC-127
POC-SCRK-02E	Smart Card Reader kit for POC-127 (rear cover need change)

## I/O View

