

# PPC-3150

## 15" Fanless Panel PC with Intel Atom Quad-Core Processor

**NEW**



### Features

- 15" TFT XGA LCD with resistive touchscreen
- Embedded Intel Atom Quad-Core E3845 1.91G
- Fanless and Slim design
- Supports one internal 2.5" SATA HDD, one mSATA socket
- Built-in one PCI or one PCIe x1 expansion slot
- Wide operating temp. range from -20~60°C
- Wide range power input for 9~32V<sub>DC</sub>
- One isolated RS-422/485 with Autoflow, Dual Intel GbE
- One optional GPIO (8 channels, TTL level)

### Introduction

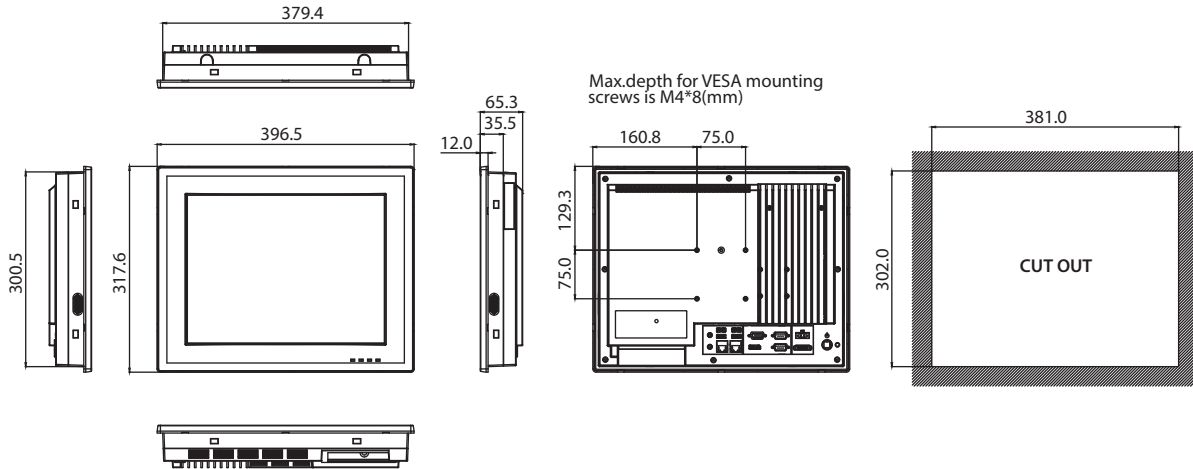
The PPC-3150 is a 15" fanless panel PC that doesn't only deliver high performance with an Intel quad-core Atom processor but also supports a wide operating temp. (-20~60°C) and wide range of power input (9~32V<sub>DC</sub>). It consolidates performance and reliability in one system. With multiple I/Os such as 4 x COM, 1 x USB3.0, 1x isolated RS-422/485 and dual Intel Gigabit Ethernet make it easier to connect to devices and be integrated into machine building industry. The PCI/PCIe expansion is allowed to add on field bus or proprietary card makes more application possibility.

### Specifications

<b>Processor system</b>	CPU	Intel ATOM E3845
	Frequency	1.91GHz
	L3 Cache	2M
	Chipset	Intel Bay-Trial I
	Memory	1 x 204-pin SODIMM DDR3L support up to 8GB
	Storage 1	1 x 2.5" SATA bay
	Optional Storage & I/O	Either: <ul style="list-style-type: none"> <li>▪ 1 x Full size mSATA</li> <li>▪ CFast card (optional module)</li> <li>▪ CF card (optional module)</li> <li>▪ Internal USB connector for USB dongle (optional module)</li> <li>▪ 2 x DB9 for two RS-232 or one RS-232 and one GPIO (optional module)</li> </ul>
	Network (LAN)	2 x Gigabit Ethernet, (Intel I210)
	I/O Ports	<ul style="list-style-type: none"> <li>▪ 1 x isolated RS-422/485 (terminal block)</li> <li>▪ 4 x RS-232, two external and two by internal pin header (need optional module)</li> <li>▪ 1 x GPIO (8 channels, TTL level) by internal pin header (need optional module)</li> <li>▪ 1 x USB3.0 + 3 x USB2.0</li> <li>▪ 2 x Gigabit Ethernet</li> <li>▪ 1 x D-SUB VGA port</li> <li>▪ 1 x DP1.1a</li> <li>▪ 1 x Line-out, 1 x Mic-in, 2 x 1W speaker,</li> </ul>
	Expansion slots	Either <ul style="list-style-type: none"> <li>▪ One PCI (standard)</li> <li>▪ One PCIe x 1 (in the accessory box)</li> </ul>
	Other Expansion	1 x Full-size Mini PCIe
<b>Physical Characteristics</b>	Dimensions	396.5 x 317.6 x 65.3 (15.6" x 12.5" x 2.57")
	Weight	5.3 Kg (11.68 lb)
<b>OS support</b>	OS Support	WES7 32&64bit / Windows 7 32&64bit/ Windows 8 32&64bit
<b>Power supply</b>	Input Voltage	9-32 V <sub>DC</sub>
	Power Consumption	30W (Burn-In test 7.0 in windows 7 32bits)
<b>LCD Display</b>	Display Type	15" TFT LCD (LED Backlight)
	Max. Resolution	1024 x 768
	Colors	16.7M
	Viewing Angle	80 (left), 80 (right), 70 (up), 70 (down)
	Luminance(cd/m2)	400
	Contrast Ratio	700
	Backlight Lifetime	50, 000 hrs(typ.)

## Dimensions

Unit: mm

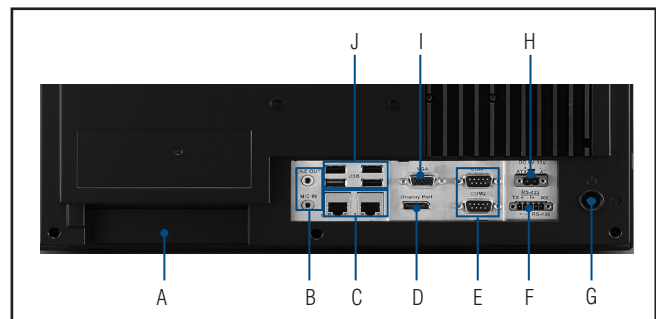


<b>Touchscreen</b>	Touch Type	Analog Resistive 5-wire
	Resolution	2048 x 2048
	Light Transmission	80% ± 3 %
	Controller	USB interface
	Software Driver Supports	Windows7 / Windows 8
	Durability (Touches)	36 million
<b>Environment</b>	Operating Temperature	0 ~ 50°C (32 ~ 122°F) with 2.5" SATA HDD -20 ~ 60°C (-4 ~ 140°F) with -40 ~ 85°C mSATA or 2.5" SATA SSD
	Storage Temperature	-20 ~ 60°C (-4 ~ 140°F)
	Relative Humidity	10 ~ 95% @ 40°C (non-condensing)
	Shock	Operating 10 G peak acceleration (11 ms duration), follow IEC 60068-2-27
	Vibration	Operating Random Vibration Test 5-500Hz, 1Grms, follow IEC 60068-2-64
	EMC	BSMI, CE, FCC Class A
	Safety	CB, CCC, BSMI, UL
	Front Panel Protection	IP65 compliant

## Ordering Information

Part NO	Description
PPC-3150-RE4AE	Intel Atom E3845 (1.91G) Panel PC with 15" XGA panel, 5-wire resistive T/S, w/o memory
PPC-WLAN-A1E	WiFi Module with Antenna Cable 28cm for PPC
PPC-174T-WL-MTE	Wall mount kit for PPC series
PPC-ARM-A03	PPC ARM VESA Standard
PPC-3150-COME	Module to install either two additional RS-232 port or one additional RS-232 and one GPIO for PPC-3150/PPC-3170
96PSA-A90W190T-1	ADP A/D 100-240V 90W 19V W/PFC
1700001524	Power cord 3P UL 10A 125V 1.8M
170203183C	Power cord 3P Europe (WS-010+083) 183cm
1700008921	Power cord 3P/3P 1.8M PSE
2070013015	Image WES7P 32-bit Multi V4.12 for PPC-3150/3170
2070013321	Image WES7P 64-bit Multi V4.12 for PPC-3150/3170
98R3612000E	Msata/CFast to USB card reader
98R3415010E	98 Level For 9663415010E Front USB Cable 100cm
PPC-STAND-A1E	Stand For PPC Series (single acting hinge)
98R3C31500E	PPC-315/317/319 internal USB dongle kits
98R3C31510E	PPC-3150/3170 install CF card kits
98R3C31520E	PPC-3150/PPC-3170 CFast card kits

## I/O Appearance



- A. Expansion slot x 1 (PCI or PCIe x1)
- B. Line out/ Mic in
- C. Intel Gigabit Ethernet x 2
- D. DisplayPort x 1
- E. RS-232 x 2
- F. Isolated RS-422/485 x 1
- G. Power Button
- H. DC inlet and AT/ATX switch
- I. VGA x1
- J. USB3.0 x 1 + USB2.0 x 3